



# Wetrooms & Insulation



Product Catalogue  
& Installation Guide

# About us

## Thermopanel Products

Established in 2003, Thermopanel is a member of the Pedarson Group, committed to creating high quality wet room components at an attractive price. We produce a wide range of wet room products, including: tile backer insulation boards, waterproofing, walk-in shower trays, drains, shower screens, underfloor heating and wet room accessories.

---

At Thermopanel we love a good-looking wet room and the brand was created from a desire to ensure that the growing trend for wet rooms is accessible to everyone. However, at Thermopanel we believe that it is what's underneath that truly counts. We encourage people to look beyond the facade and appreciate the importance of quality wet room foundations - because if it's not properly waterproofed then it's a damp room, not a wet room!

The benefits of installing a Thermopanel Wet Room Include....

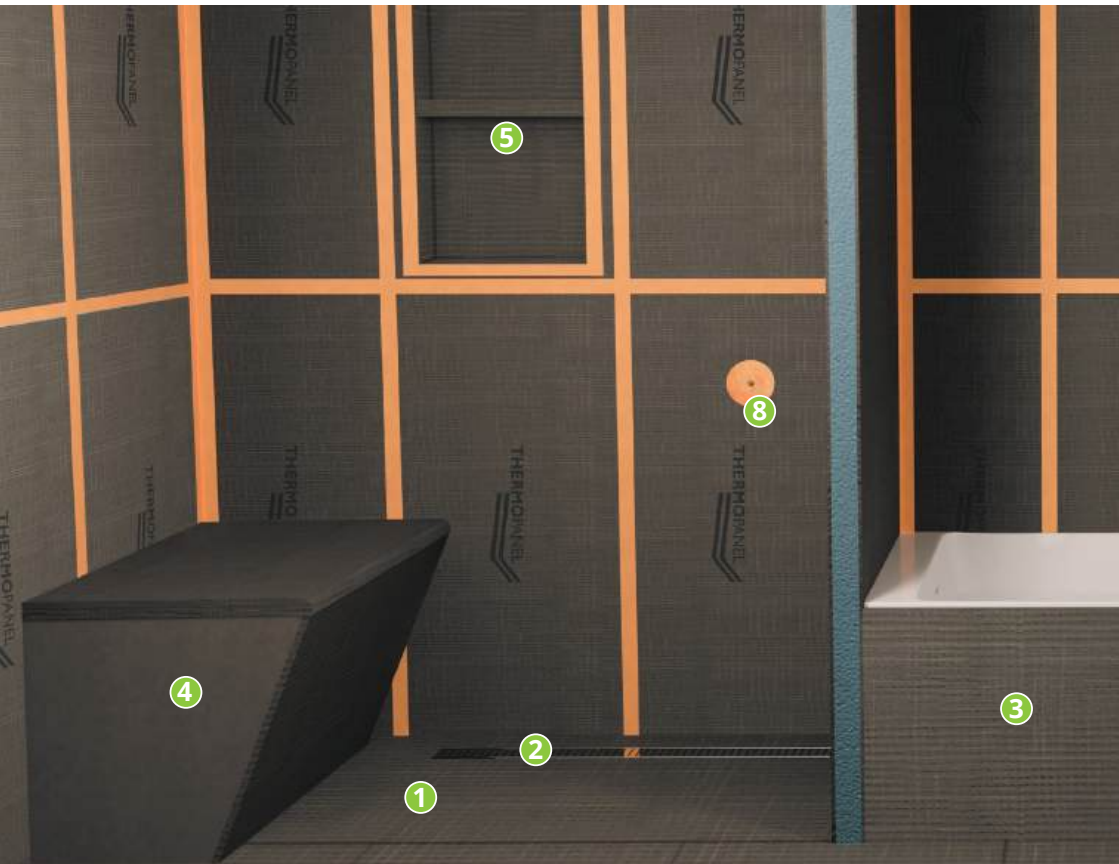
- ✓ **100% WATERTIGHT**  
The Thermopanel system provides a solid waterproof foundation which will eliminate leaks and water damage.
- ✓ **A COMPLETE WET ROOM SOLUTION**  
Thermopanel produces all of the supplies and products needed to install a highly functional wet room.
- ✓ **CAN INCREASE PROPERTY VALUE**  
Studies have shown that homes that add a wet room as a second bathroom are of a higher value than comparable homes with only a traditional bathroom.
- ✓ **DIFFERENTIATION**  
Make your development stand out from competitors. Complete the look of the home and add prestige with a wet room installation.
- ✓ **QUALITY & VALUE**  
Thermopanel produces high quality products created with the user in mind.

# Contents

4	Tile Backer Board	24	XPS Niches	30	Tileable Shower Bench
8	Square Drain Shower Trays	25	EPS Niches	32	Waterproofing & Tanking
16	Linear Drain Shower Trays	26	Pipe Boxes		
22	Shower Tray for Vinyl Floor	27	Bath Panels		



# THERMOPANEL



1

**TILE BACKER  
BOARDS**



2

**TILE ON  
SHOWER TRAYS**



3

**TILE ON  
BATH PANELS**

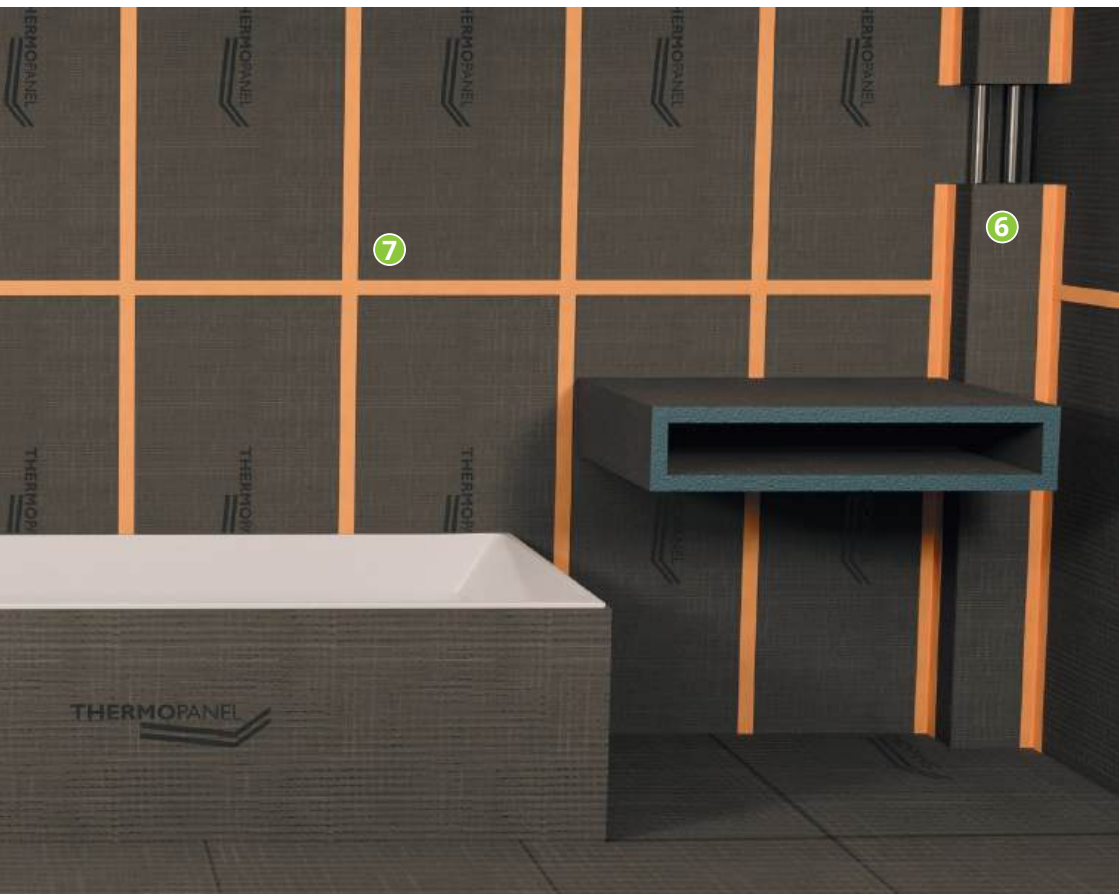


4

**TILE ON  
SHOWER BENCH**



# CREATE THE FOUNDATION OF YOUR WETROOM



5

**TILE ON  
SHOWER NICHES**



6

**TILE ON  
PIPE BOXING**



7

**WATERPROOFING  
JOINT TAPE**



8

**WATERPROOFING  
PIPE COLLARS**



# Create the backbone of your wet room with Thermopanel Tile Backer Boards

Thermopanel Tile Backer Insulation Boards are lightweight and easy to handle whilst providing superior waterproofing to your wet area. Available in a variety of sizes, they are incredibly versatile.

**Thermopanel Tile Backer boards are specifically designed for two primary purposes -**



**As a first class heat insulation for underfloor heating systems.**



**As a superior waterproof surface to fix wall or floor tiles.**

- Tile backer boards are particularly suited to underfloor heating mats and under tile heating cable applications.
- Will accept even the heaviest wall tiles, unlike plasterboard. (correct installation method must be followed)
- Installation below underfloor heating systems on an existing un-insulated concrete or timber sub-floor will greatly reduce heat up time and running costs.
- Our Boards will reduce the warm up time of the heating and reduce your electricity bill.
- Excellent heat insulation with thermal conductivity value of 0.027 W/mK making them ideal for use as a thermal barrier with under floor heating
- Ideal for wetrooms
- Tilebacker boards are waterproof and dimensionally stable (unlike plywood)
- Excellent sound insulation: impact sound is greatly reduced

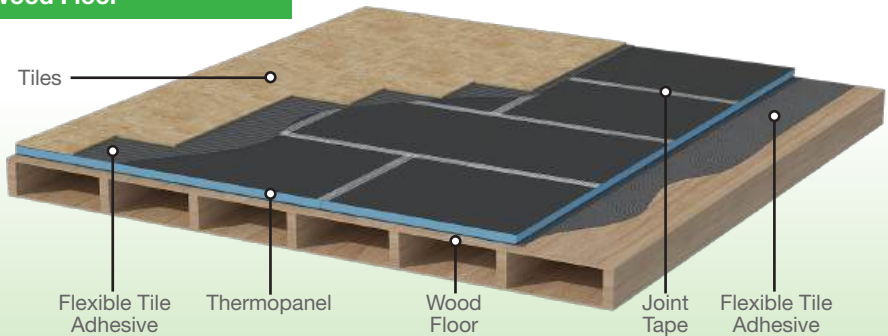
# Tile Backer Board / Construction Board

## Description

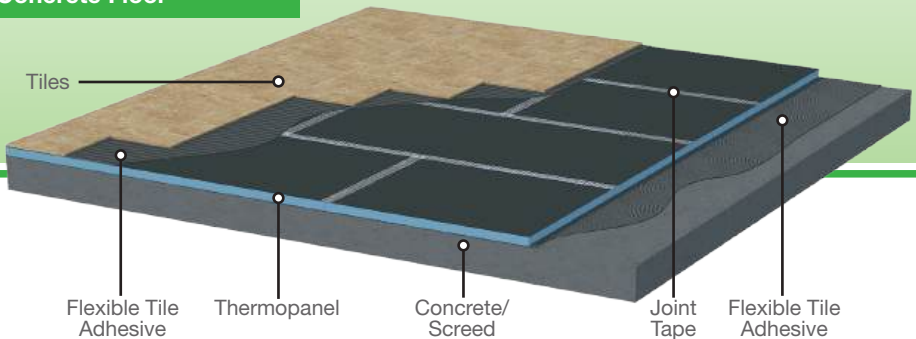
Code	Length/Width/Thickness
TP04	1250 x 600 x 4mm
TP06	1250 x 600 x 6mm
TP08	1250 x 600 x 8mm
TP10	1250 x 600 x 10mm
TP12	1250 x 600 x 12mm
TP15	1250 x 600 x 15mm
TP20	1250 x 600 x 20mm
TP30	1250 x 600 x 30mm
TP40	1250 x 600 x 40mm
TP50	1250 x 600 x 50mm



### Wood Floor



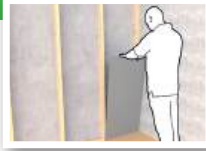
### Concrete Floor



# Installation Instructions For Tile Backer Boards

## Timber Stud Walls

For walls made from stud, 10 or 12mm Thermopanel can be used for stud @ 300mm centres or 20mm Thermopanel if 600mm centres. Please ensure that all board edges are supported.



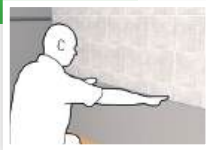
Fix Thermopanel to the studs using screws and Thermopanel washers (MSW36), the maximum spacing between fixings should be 300mm.



## Solid Walls

### Option 1 Screw Fixing

Measure the Thermopanel and cut to size utilising a sharp knife or saw.



Wall plugs, screws and Thermopanel washers (MSW36) can be used at 300mm spacing to fix to a solid wall



## Solid Walls

### Option 2 Tile Adhesive

A 5 to 8mm trowel is used to comb flexible tile adhesive over the whole surface of the Thermopanel.



Stagger the Thermopanel brickwork fashion, pushing them firmly onto wall.



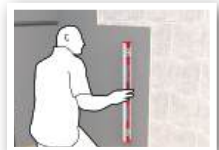
## Solid Walls

### Option 3 Drywall Fixing

Apply Thermopanel Drywall Foam (TPDF) to Thermopanel, firstly around perimeter, then at (approx.) 300mm centres. Application to the board laid flat with its end against the wall is generally the quickest method for application to solid walls.



Allow the foam to cure for 4-5 minutes and then lever the board into position, then press firmly across the whole face of the board, starting at the top. Ensure the top and all edges receive as much pressure as the rest of the board.





### Preparation for Tiles or Plaster Tiling

All joints should be taped using Thermopanel Joint Scrim Tape (IJT90) with the exception of wet areas where Thermopanel butyl tape (Btape) should be used. The wall can now be tiled.



Plastering. Seal the edges of the boards using Thermopanel adhesive/sealant (Thermofix) before applying the Thermopanel scrim tape (IJT90). Plaster can now be applied.



### Floor Fixing Tile Adhesive

Use a 5-8mm trowel to apply a layer of flexible tile adhesive on to the base floor.



Place the Thermopanel down on the adhesive and push firmly down.

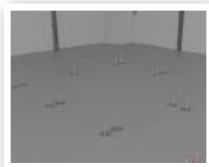


### Floor Fixing Screws & Washers into Timber

Measure the Thermopanel and cut to size utilising a sharp knife or saw. Lay Thermopanel in the desired position.



Use screws and Thermopanel washers (MSW36) to fix the boards every 300mm to the wooden subfloor.



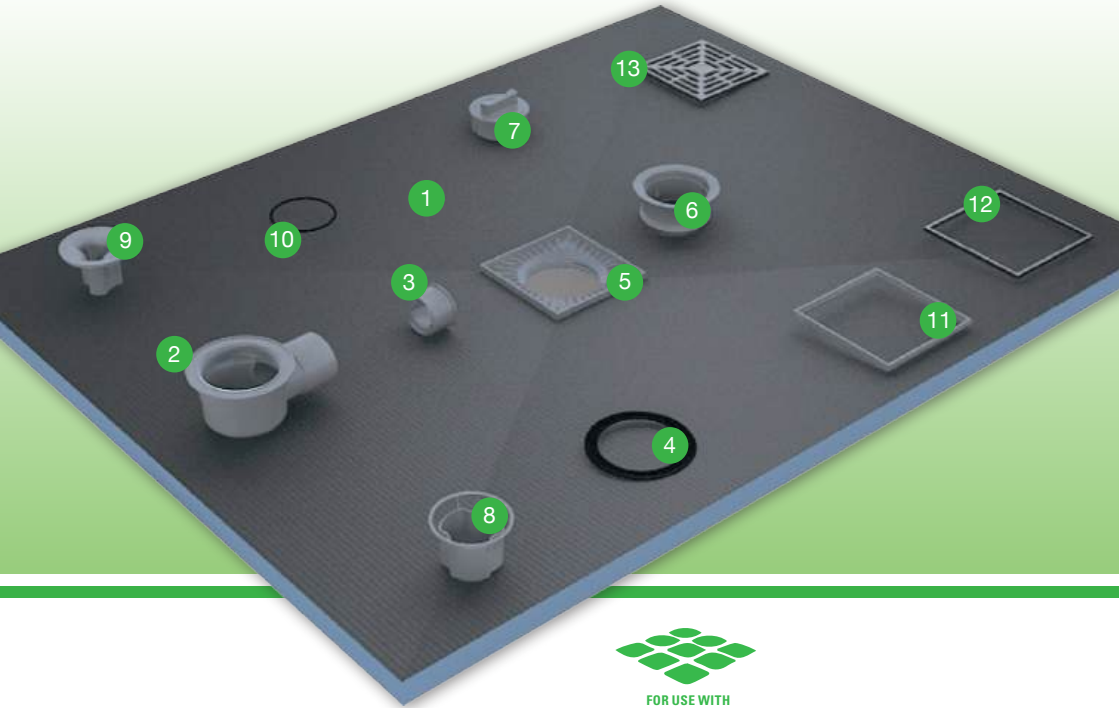
If further waterproofing is required, use Thermopanel adhesive / sealant (Thermofix) to seal the joints. Alternatively, in really wet areas use Thermopanel Butyl Tape (Btape)



# Square Drain Shower Tray Assembly Information



Shower tray kit consists of a shower tray and a drainage system. Both components are coordinated with each other and form one unit.



## System components

- |                   |                   |                         |
|-------------------|-------------------|-------------------------|
| 1 Shower tray     | 6 Connection      | 11 Riser Piece          |
| 2 Drain body      | 7 Key             | 12 Stainless Steel Edge |
| 3 50-40mm Reducer | 8 Drain Basket    | 13 Grate                |
| 4 Rubber O-Ring   | 9 Inlet with seal |                         |
| 5 Plastic Support | 10 O-Ring         |                         |

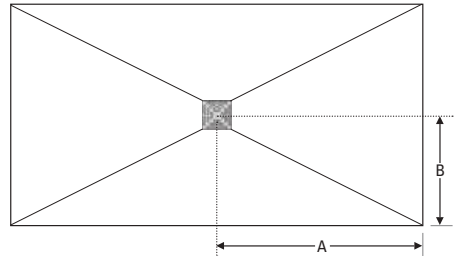
# Specifications

Size	Central			Offset			Corner		
	Thickness (mm)								
	20	25	30	20	25	30	20	25	30
800 x 800	Green	Light Green	Light Green	Green	Light Green	Light Green	Green	Light Green	Light Green
900 x 900	Green	Light Green	Light Green	Green	Light Green	Light Green	Green	Light Green	Light Green
1000 x 1000	Green	Light Green	Light Green	Green	Light Green	Light Green	Green	Light Green	Light Green
1200 x 800	Green	Light Green	Light Green	Green	Light Green	Light Green	Green	Light Green	Light Green
1200 x 900	Green	Light Green	Light Green	Green	Light Green	Light Green	Green	Light Green	Light Green
1200 x 1000	Green	Light Green	Light Green	Green	Light Green	Light Green	Green	Light Green	Light Green
1200 x 1200	Green	Light Green	Light Green	Green	Light Green	Light Green	Green	Light Green	Light Green
1300 x 900	Green	Green	Light Green	Light Green	Green	Light Green	Light Green	Green	Light Green
1400 x 900	Green	Green	Light Green	Light Green	Green	Light Green	Light Green	Green	Light Green
1500 x 900	Light Green	Green	Light Green	Light Green	Green	Light Green	Light Green	Green	Light Green
1500 x 800	Light Green	Green	Light Green	Light Green	Green	Light Green	Light Green	Green	Light Green
1800 x 900	Light Green	Green	Light Green	Light Green	Green	Light Green	Light Green	Green	Light Green

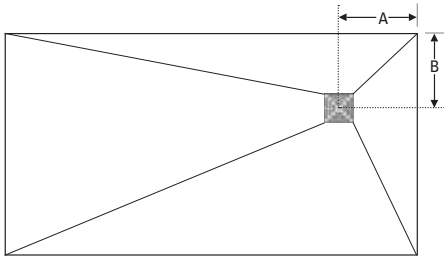


**NOTE:**

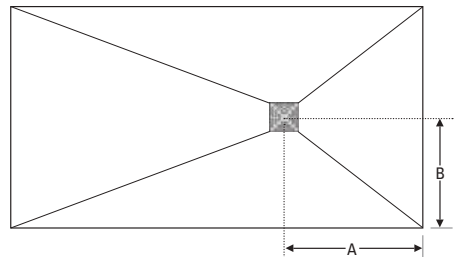
Each side of the shower tray can be trimmed up to 50mm



Position: Centre drain:  $A=1/2$  length  $B=1/2$  width

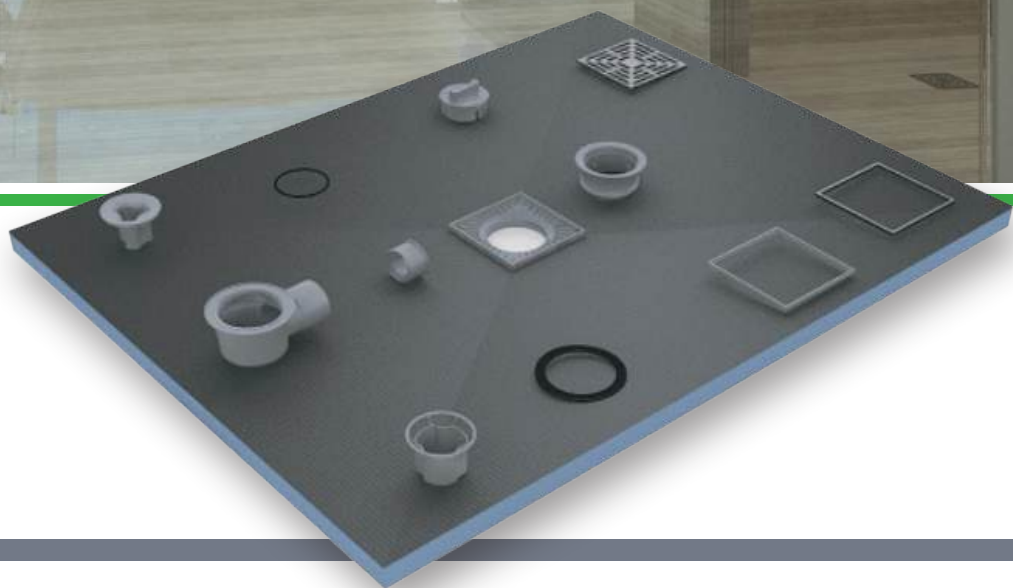


Normal Position: Corner drain:  $A=B=260$ mm



Normal Position: Offset drain:  $A=450$ mm  $B=1/2$  width

# Square Drain Shower Trays



# Specifications

Part number	Description
SF0808CEN	800 x 800 x 20mm Square Shower Tray with Centre Drain
SF0808COR	800 x 800 x 20mm Square Shower Tray with Corner Drain
SF0909CEN	900 x 900 x 20mm Square Shower Tray with Centre Drain
SF0909COR	900 x 900 x 20mm Square Shower Tray with Corner Drain
SF1010CEN	1000 x 1000 x 20mm Square Shower Tray with Centre Drain
SF1010COR	1000 x 1000 x 20mm Square Shower Tray with Corner Drain
SF1010OFF	1000 x 1000 x 20mm Square Shower Tray with Offset Drain
SF1208CEN	1200 x 800 x 20mm Rectangular Shower Tray with Centre Drain
SF1208COR	1200 x 800 x 20mm Rectangular Shower Tray with Corner Drain
SF1208COR-R	1200 x 800 x 20mm Rectangular Shower Tray with Corner Drain (Right)
SF1208OFF	1200 x 800 x 20mm Rectangular Shower Tray with Offset Drain
SF1209CEN	1200 x 900 x 20mm Rectangular Shower Tray with Centre Drain
SF1209COR	1200 x 900 x 20mm Rectangular Shower Tray with Corner Drain
SF1209COR-R	1200 x 900 x 20mm Rectangular Shower Tray with Corner Drain (Right)
SF1209OFF	1200 x 900 x 20mm Rectangular Shower Tray with Offset Drain
SF1210CEN	1200 x 1000 x 20mm Rectangular Shower Tray with Centre Drain
SF1210COR	1200 x 1000 x 20mm Rectangular Shower Tray with Corner Drain
SF1210COR-R	1200 x 1000 x 20mm Rectangular Shower Tray with Corner Drain (Right)
SF1210OFF	1200 x 1000 x 20mm Rectangular Shower Tray with Offset Drain
SF1212CEN	1200 x 1200 x 20mm Square Shower Tray with Centre Drain
SF1212COR	1200 x 1200 x 20mm Square Shower Tray with Corner Drain
SF1212OFF	1200 x 1200 x 20mm Square Shower Tray with Offset Drain
SF1309CEN	1300 x 900 x 25mm Square Shower Tray with Centre Drain
SF1309COR	1300 x 900 x 25mm Square Shower Tray with Corner Drain
SF1309OFF	1300 x 900 x 25mm Square Shower Tray with Offset Drain
SF1409CEN	1400 x 1900x 25mm Square Shower Tray with Centre Drain
SF1409COR	1400 x 1900x 25mm Square Shower Tray with Corner Drain
SF1409OFF	1400 x 1900x 25mm Square Shower Tray with Offset Drain
SF1508CEN	1500 x 800 x 25mm Rectangular Shower Tray with Centre Drain
SF1508OFF	1500 x 800 x 25mm Rectangular Shower Tray with Offset Drain
SF1509CEN	1500 x 900 x 25mm Rectangular Shower Tray with Centre Drain
SF1509OFF	1500 x 900 x 25mm Rectangular Shower Tray with Offset Drain
SF1809CEN	1800 x 900 x 25mm Rectangular Shower Tray with Centre Drain
SF1809OFF	1800 x 900 x 25mm Rectangular Shower Tray with Offset Drain
SFDRAIN	Square Drain

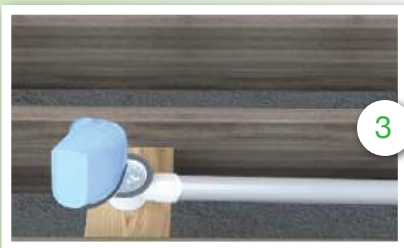
# Installation Instructions For Square Drain Shower Tray



Put shower tray in the correct position and mark around the tray, to establish which section of the floor boards needs to be removed, the tray can be recessed.



Once the floorboards are removed, Measure and mark where your drain and waste pipe will be fitted. Please note: The drain body needs to be split into 2 parts, the upper part fits to the underside of the former and the main body goes into the floor.



Cut a piece of plywood to support the drain for drain body, this should be 10mm higher than waste pipe. Connect the drain body to the waste pipe with solvent weld in the usual way. (Always check for leaks before final installation of shower tray).



Fix a batten below the top of the joists.



5

Once you are satisfied with the drainage, place plywood around the drain and fix in position.



6

Spread the adhesive evenly over the area where the shower tray is to be installed, being careful to clean away any adhesive on the rim of the trap.



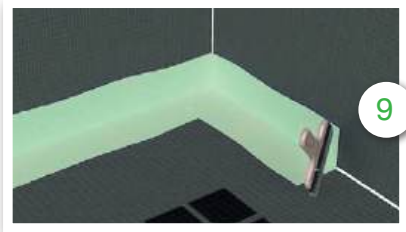
7

Ensure that the surface is smooth & Level.



8

Fix the shower tray into position. With a spirit level, check that the edges of the tray are level. Also you should use waterproof tape to connect all joint and wall corners.



9

Seal all joints (both wall and floor) utilising special waterproof membrane / paste.



10

Seal all corners of shower area with inside corner membrane / paste.



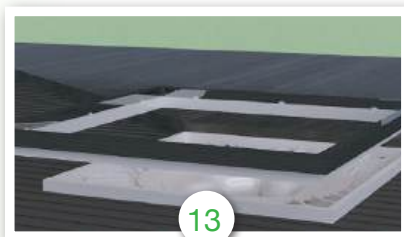
11

Then set the O-ring on Inlet with Seal and put it in.



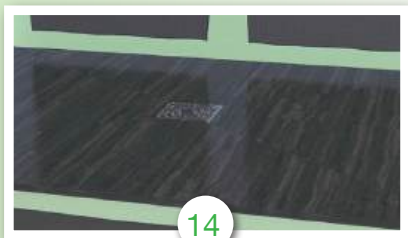
12

If there's height difference between tile and drain.



13

Use the riser piece to balance the height difference between tile and drain.



14

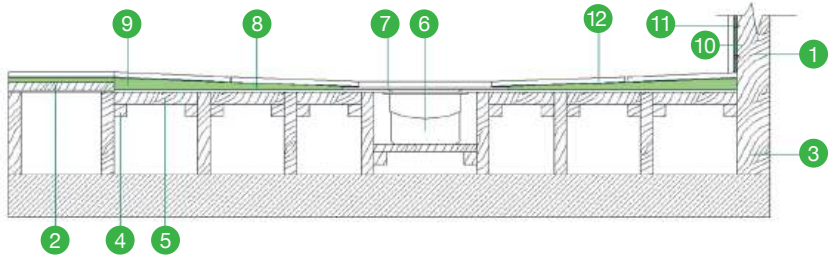
The shower base is finished and can be tiled.

**Tips:** In principle, you can use all types and sizes of tiles, special requirements for tiles and mosaic thickness to be <25mm, and the size of the tiles and mosaic on the shower tray must be =50 \* 50mm. Otherwise, you should consult the manufacturer.



# Installation Section Detail For Wooden Framework

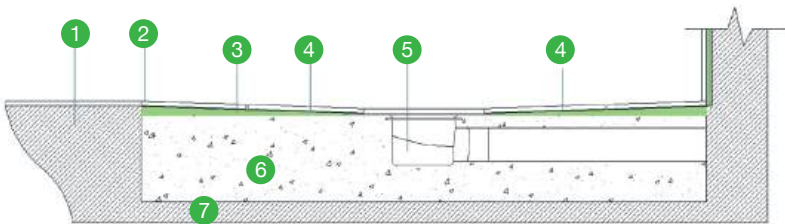
## Mokra Shower Tray Kit - Installation Height



- |                            |                                          |                             |
|----------------------------|------------------------------------------|-----------------------------|
| 1 Wooden wall construction | 7 Stainless steel grate                  | 10 Backer board (6/10/20mm) |
| 2 Floor board 18mm         | 8 Shower tray                            | 11 Washer and screw         |
| 3 Floor joist              | 9 Sealing tape or Waterproofing membrane | 12 Tiles                    |
| 4 Support for ply board    |                                          |                             |
| 5 Ply board 18mm           |                                          |                             |
| 6 Shower drain body        |                                          |                             |

# Installation Section Detail For Concrete Floor

## Mokra Shower Tray Kit - Installation Height



- |                           |               |                    |
|---------------------------|---------------|--------------------|
| 1 Screed                  | 4 Slope       | 6 Levelling screed |
| 2 Waterproof sealing tape | 5 Floor drain | 7 Concrete floor   |
| 3 Shower tray             |               |                    |

# Linear Drain Shower Tray Assembly Information



Linear shower tray kit consists of a shower tray and a drainage system. Both components are coordinated with each other and form one unit.



## System components

- |    |                                              |     |                                                                                                                   |
|----|----------------------------------------------|-----|-------------------------------------------------------------------------------------------------------------------|
| 1  | Drain Body                                   | 7b  | Short Or Long Screw<br>For Height Adjustment Spacer<br>(Please use these screws according<br>to your requirement) |
| 2  | Dip-tube                                     | 8   | Connection                                                                                                        |
| 3  | O Ring                                       | 9   | Plastic support 600mm length                                                                                      |
| 4  | Drain Basket                                 | 10a | Stainless Steel Support<br>600mm length.                                                                          |
| 5  | 50-40mm Reducer                              | 10b | Stainless Steel Grate<br>600mm length                                                                             |
| 6  | Height Adjustment<br>Spacer (thickness1.5mm) |     |                                                                                                                   |
| 7a | Screw For Connection<br>(M5.5*29mm)          |     |                                                                                                                   |

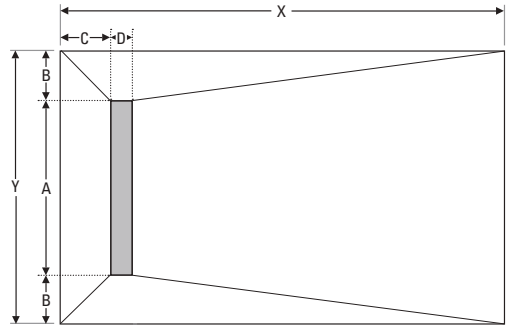
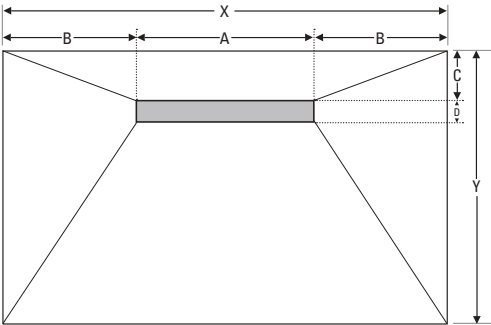
# Specifications

Part number	Description
SF0909LIN	900 x 900 x 30mm Square Shower Tray with Linear Drain
SF1010LIN	1000 x 1000 x 30mm Square Shower Tray with Linear Drain
SF1209LIN	1200 x 900 x 30mm Rectangular Shower Tray with Linear Drain
SF1212LIN	1200 x 1200 x 30mm Square Shower Tray with Linear Drain
SF1509LIN	1500 x 900 x 30mm Rectangular Shower Tray with Linear Drain
SF1809LIN	1800 x 900 x 30mm Rectangular Shower Tray with Linear Drain
SF1209LIN90	1200 x 900 x 30mm Rectangular Shower Tray with Linear Drain (side)
SF1509LIN90	1500 x 900 x 30mm Rectangular Shower Tray with Linear Drain (side)
SF1809LIN90	1800 x 900 x 30mm Rectangular Shower Tray with Linear Drain (side)
SFLG01	Linear Shower Grate - Slots
SFLG05	Linear Shower Grate - Wavy
SFLG08	Linear Shower Grate - Crest
SFLG12	Linear Shower Grate - Droplets
SFLG15	Linear Shower Grate - Greek
SFLG16	Linear Shower Grate - Stars
SFLT01	Linear Shower Grate - Tile
SFLT02	Linear Shower Grate - Solid
SFLD	Linear Shower Drain

# Available sizes

Part no	Dimensions					
	X	Y	A	B	C	D
SF1209LIN90	1200	900	600	300	200	70
SF1509LIN90	1500	900	600	450	200	70
SF1809LIN90	1800	900	600	600	200	70

Part no	Dimensions					
	X	Y	A	B	C	D
SF0909LIN	900	900	600	150	200	70
SF1010LIN	1000	1000	600	150	200	70
SF1209LIN	1200	900	600	150	200	70
SF1212LIN	1200	1200	600	600	200	70
SF1509LIN	1500	900	600	150	200	70
SF1809LIN	1800	900	600	150	200	70



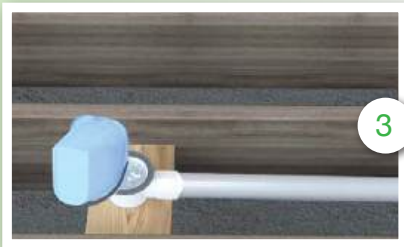
# Installation Instructions For Linear Shower Tray



Put shower tray in the correct position and mark around the tray, to establish which section of the floor boards need to be removed, the tray can be recessed.



Once the floorboards are removed, Measure and mark where your drain and waste pipe will be fitted. Please note: The drain body needs to be split into 2 parts, the upper part fits to the underside of the former and the main body goes into the floor.



Cut a piece of plywood to support the drain for drain body, this should be 10mm higher than waste pipe. Connect the drain body to the waste pipe with solvent weld in the usual way. (Always check for leaks before final installation of shower tray).



Fix a batten below the top of the joists.



5

Once you are satisfied with the drainage, place plywood around the drain and fix in position.



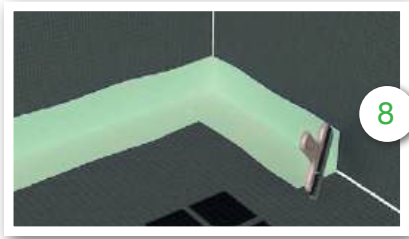
6

Spread the adhesive evenly over the area where the shower tray is to be installed, being careful to clean away any adhesive on the rim of the trap.



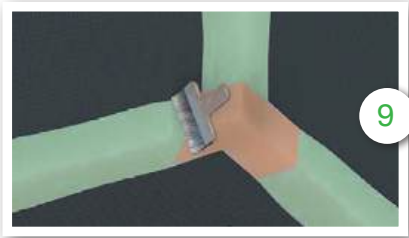
7

Ensure that the surface is smooth & Level.



8

Seal all joints (both wall and floor) utilising special waterproof membrane / paste.



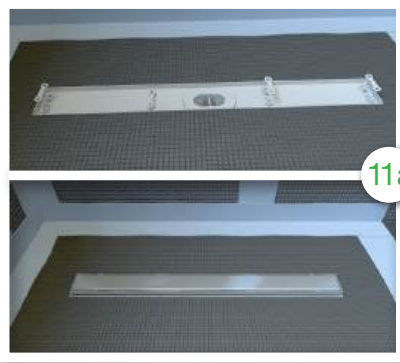
9

Seal all corners of shower area with inside corner membrane / paste.



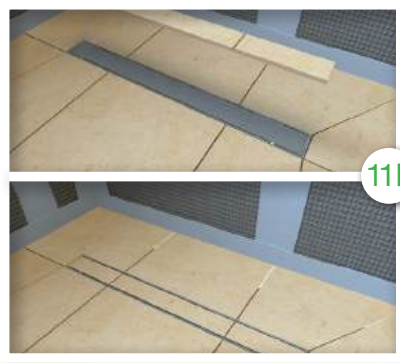
10

Assemble other drain components



11a

If you're not using a tile on grate, adjust the height of the stainless steel support utilising the height adjustment spacers, each spacer will increase the height by 1.5mm. Depending on the number of spacers used, use either the long or short screws to fix the stainless steel support to the tray



11b

If you're using a tile on grate, the height of the stainless steel support can be adjusted utilising the height adjustment spacers, but the inner height of the tile on the grate is fixed (13mm). Please ensure that you use suitable tiles for the grate and the shower tray.

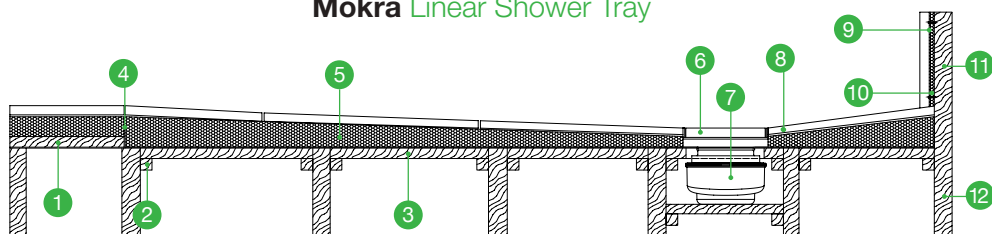


12

The shower base is now finished and can be tiled.

# Installation Section Detail For Wooden Floor

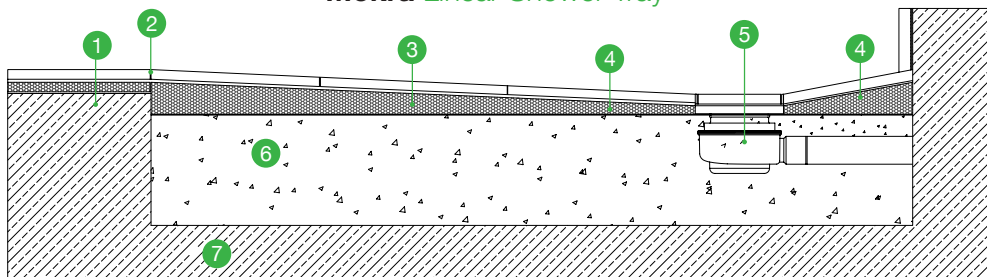
## Mokra Linear Shower Tray



- |                         |                              |                             |
|-------------------------|------------------------------|-----------------------------|
| 1 Floor board 18mm      | 6 Stainless steel grate      | 11 Wooden wall construction |
| 2 Support for PLY board | 7 Linear Shower drain body   | 12 Floor joist              |
| 3 PLY board 18mm        | 8 Tile                       |                             |
| 4 Waterproof paint      | 9 Washer and screw           |                             |
| 5 Linear shower tray    | 10 backer board (10/12/20mm) |                             |

# Installation Section Detail For Concrete Floor

## Mokra Linear Shower Tray



- |                    |                            |
|--------------------|----------------------------|
| 1 Screed           | 5 Linear Shower drain body |
| 2 Waterproof paint | 6 Levelling screed         |
| 3 Shower tray      | 7 Concrete floor           |
| 4 Slope            |                            |

# Showerdec

Showerdec is affordable, strong and available in a wide range of size options.

Showerdec is highly adaptable and means that every home can enjoy the superior style and luxury that a wet room provides.

Constructed using the SMC process from a combination of resin and fibreglass to form a strong and consistent floor former, it is strong enough to fit straight onto joists, saving time and money.



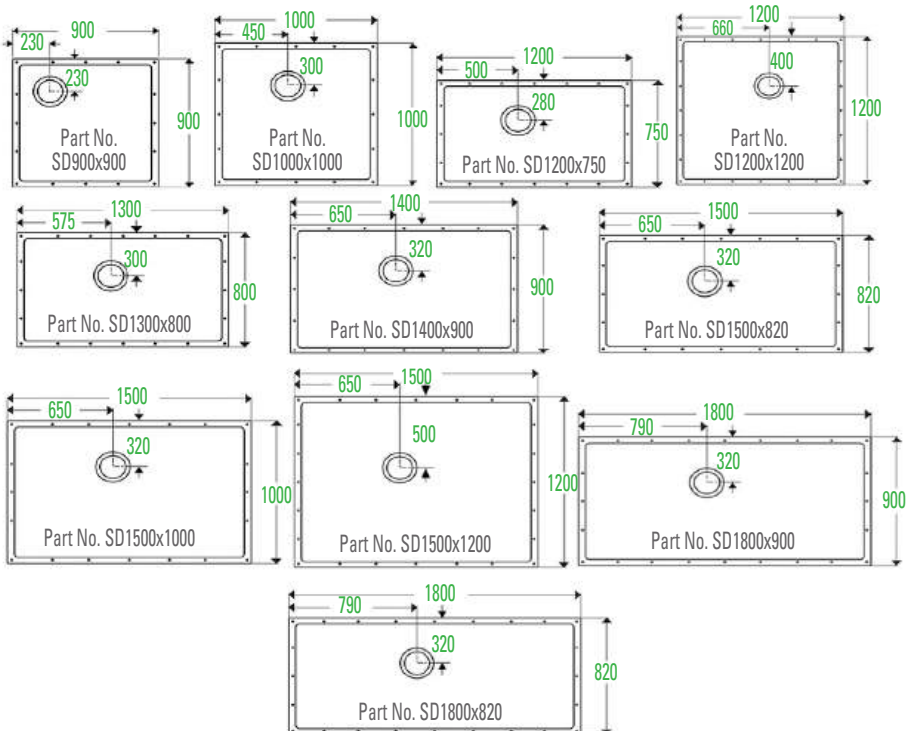
FOR USE WITH VINYL FLOOR COVERINGS



## Features

- Manufactured using the SMC process from a combination of resin and fibreglass to form a strong and consistent floor former.
- Super strong single piece construction
- Fixes straight onto joists saving time and money
- 20-year guarantee for peace of mind

## Available sizes





## Features

- GRP composition
- Trimmable for extra versatility
- 20-year guarantee
- Load capacity of up to 100 stone/635kg
- Suitable for wooden and solid floors
- 11 sizes c/w waste
- Fixes onto joists – no underboarding

Part Number	Description	Width (mm)	Length (mm)
SD900X900	900 x 900 Showerdec Tray	900	900
SD1000X1000	1000 x 1000 Showerdec Tray	1000	1000
SD1200X1200	1200 x 1200 Showerdec Tray	1200	1200
SD1200X750	1200 x 750 Showerdec Tray	1200	750
SD1300X800	1300 x 800 Showerdec Tray	1300	800
SD1400X900	1400 x 900 Showerdec Tray	1400	900
SD1500X1000	1500 x 1000 Showerdec Tray	1500	1000
SD1500X1200	1500 x 1200 Showerdec Tray	1500	1200
SD1500X820	1500 x 820 Showerdec Tray	1500	820
SD1800X820	1800 x 820 Showerdec Tray	1800	820
SD1800X900	1800 x 900 Showerdec Tray	1800	900

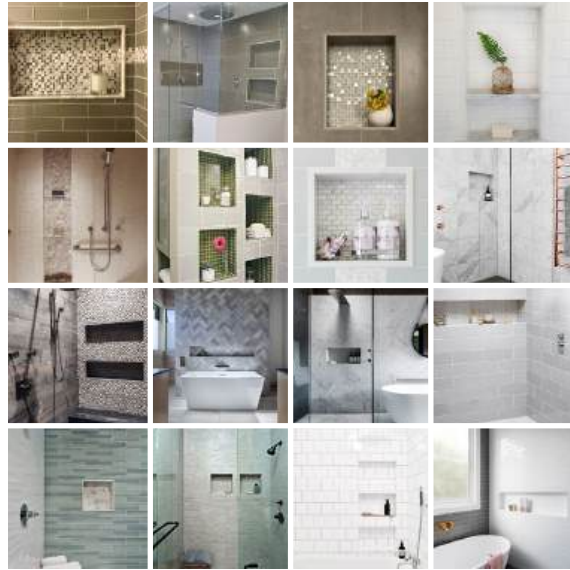
CTW01	Vinyl Flooring Gravity Waste for Showerdec Trays
TSG52-S	Tiled Flooring Gravity Waste for Showerdec Trays

# Thermopanel Shower Niches

Thermopanel Shower Niches are low cost, easily installed and completely waterproof. Designed to provide extra space for small shower items.

They comprise of an extruded polystyrene core coated on either side with a thin robust layer of fibreglass reinforced polymer concrete and coated with a waterproof membrane paint.

Thermopanel Shower Niches are fixed to a timber frame, so that the front of the Niche are flush with the Thermopanel construction boards on the wall. The joints between the Niche and the construction boards are sealed together with Waterproof Tape.



## Features

- Completely waterproof.
- Provides thermal insulation.
- Ready to tile.
- Lightweight and easy to work with.
- Made with 12.5mm thick board and fit wall cavities 100mm or deeper
- Comes already constructed which guarantees the conformity and the size

Part Number	Description	Width (mm)	Height (mm)	Depth (mm)
TPN350240	Tileable Shower Niche	350	240	100
TPN350350	Tileable Shower Niche	350	350	100
TPN350420	Tileable Shower Niche	350	420	100
TPN900250	Tileable Shower Niche	900	250	100

# Shower Niches

Thermopanel EPS Niche is constructed of lightweight high-density expanded polystyrene with a waterproof finish and ready to tile. They are lightweight, durable and are not a food source for fungus and mold.

Thermopanel EPS fabricated niches are a one piece construction and waterproof. Guaranteed to never rot, degrade or leak. Their insulative factor does not promote condensation in the wall cavity. The perfect fit for all your shower necessities, our niches install quickly and safely and integrate flush into the wall panel assembly.

## Features

- Lightweight & durable
- Easy to transport, handle and adjust during insulation
- Installed in minutes
- Waterproof and ready to tile
- Multiple design options and sizes available added utility and value to the shower

Part Number	Description	Width (mm)	Height (mm)	Depth (mm)	Internal (mm)
TPN235235F	Tileable Shower Niche	235	235	100	200x200
TPN360360F	Tileable Shower Niche	360	360	100	300x300
TPN360565F	Tileable Shower Niche	360	565	300x510	
TPN235565F/2	Tileable Shower Niche	235	565	100	200x150 + 200x300
TPN360565F/2	Tileable Shower Niche	360	565	100	300x150 + 300x300



# Thermopanel Stainless Steel Shower Niches

Thermopanel Shower Niches are low cost, easily installed and completely waterproof. Designed to provide extra space for small shower items.

Thermopanel introduces its range of Stainless Steel Shower Niches, a stylish and practical addition that infuses a contemporary touch of elegance into your bathroom. Each niche, flaunting a sleek finish, is designed to offer convenient storage for all your shower necessities. They complement a variety of bathroom and wetroom designs, making them a flexible choice for any bathroom upgrade or renovation project.

Each niche is constructed from top-tier Stainless Steel, designed to endure. They not only showcase an appealing look but also resist rust and corrosion, promising long-lasting performance for the foreseeable future. The sleek design effortlessly blends with a broad spectrum of bathroom styles, making them a flexible choice for any bathroom project.



### Stainless Steel Recess Shower Niche - Matte Black

Code	Size
SSN3030B1	305 x 305 x 103mm
SSN6030B1	610 x 305 x 103mm
SSN3060B1	305 x 610 x 103mm
SSN2090B1	915 x 204 x 103mm



### Stainless Steel Recess Shower Niche

Code	Size
SSN3030S	305 x 305 x 103mm
SSN6030S	610 x 305 x 103mm
SSN3060S	305 x 610 x 103mm
SSN2090S	915 x 204 x 103mm



### Stainless Steel Recess Shower Niche - Noir Black

Code	Size
SSN3030B2	305 x 305 x 103mm
SSN6030B2	610 x 305 x 103mm
SSN3060B2	305 x 610 x 103mm
SSN2090B2	915 x 204 x 103mm



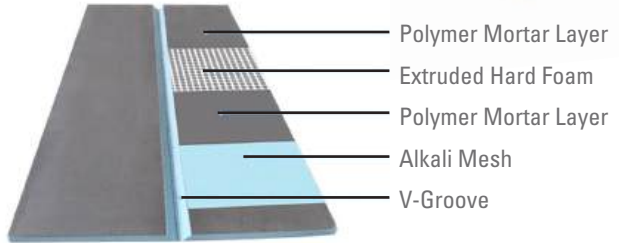
# Thermopanel Pipe Boxing

The Solution to Hide Unsightly Pipework

Specially designed to enable easy, fast and clean boxing-in of exposed pipe work. The Thermopanel pipe Boxings are completely waterproof so they are suitable for shower and we rooms, as well as bath.

The Pre-fabricated boards are 20 mm thick. Made from 100% HCFC-FREE XPS hard foam, reinforced with fibreglass mesh on both sides and coated with polymer-modified mortar. The boards are 100% waterproof and remain fully functional.

Thermopanel shaped Angle Board can simply cover the water pipes and other attachment by flexible tile adhesive. Its cemented surface is a good adhesive undersurface for tiling. The easy installation can save a lot of time and money.



## Features

- Can be either tiled or plastered
- Fast and efficient way to box in pipes prior to tiling or plastering
- Greatly reduces installation time
- Provides a much better tiling surface than timber
- Reduces the need to plasterboard timber when applying render
- Waterproof and stable in a moist environment
- Can be used to create designs in a bathroom rather than simply covering unsightly features
- Easy and cost effective method for creating tiled columns and rounded corners panels.

Part Number	Description	Thickness (mm)	Width (mm)	Height (mm)	Depth (mm)
TP150	Pipe Boxing Panel – 'L'	20	150	150	1250
TP200	Pipe Boxing Panel – 'L'	20	200	200	1250
TP300	Pipe Boxing Panel – 'L'	20	300	300	1250

# Bath Panels

Perfect for tiling around your bath with tiles matching the walls and/or floor, Thermopanel bath panels offer the best solution.

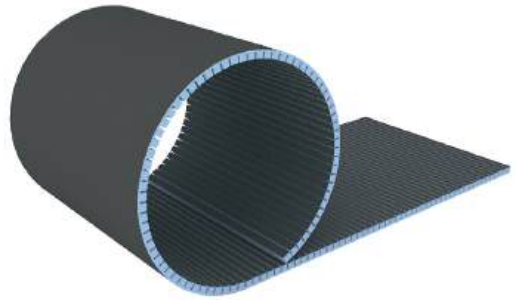
The panels just need to be cut to the correct length, positioned and height adjusted using the integral feet. You're now ready to tile!



Part Number	Description	Length (mm)	Width (mm)	Depth (mm)
TPBP1	Tileable Side Bath Panel with 2 adjustable Feet	2100	600	30
TPBP2	Tileable End Bath Panel with 2 adjustable Foot	1850	600	30
TPBP3	Tileable Bath Panel with 1 adjustable foot	770	600	30

# Thermopanel Curved Boards

Thermopanel Pre-Slit Curved Boards are the perfect solution for the fast creation of curved walls, curved bathroom panels, moulded tiled seats and P-shaped baths.



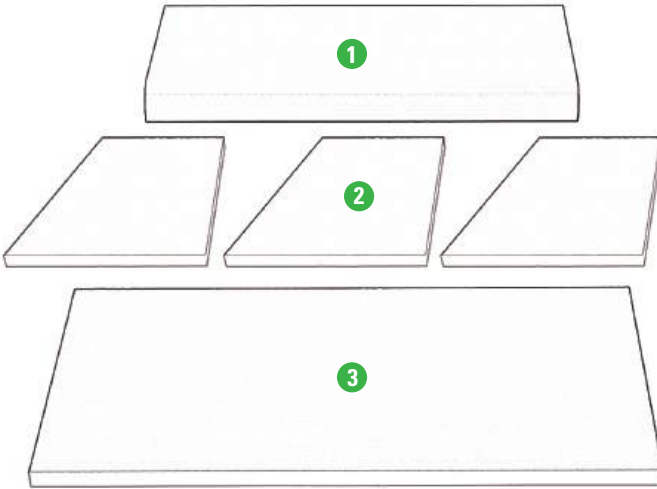
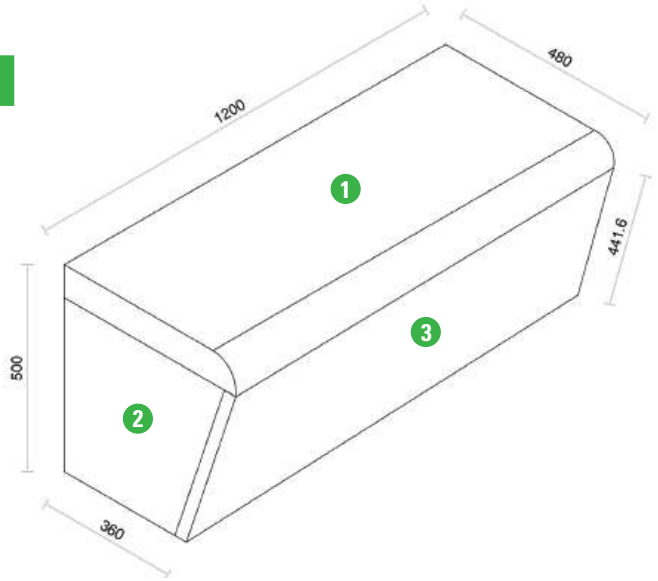
The boards are exceptionally easy to work with, easy to cut and shape with excellent tile adhesion and waterproofing properties.

Part Number	Description	Length (mm)	Width(mm)	Depth (mm)
TP20CB	Curved Construction board	1250	600	20

# Tileable Shower Bench

## Shower Bench Components

- 1 Top seat panel
- 2 3x Supporting Panels
- 3 Front Cover Panel



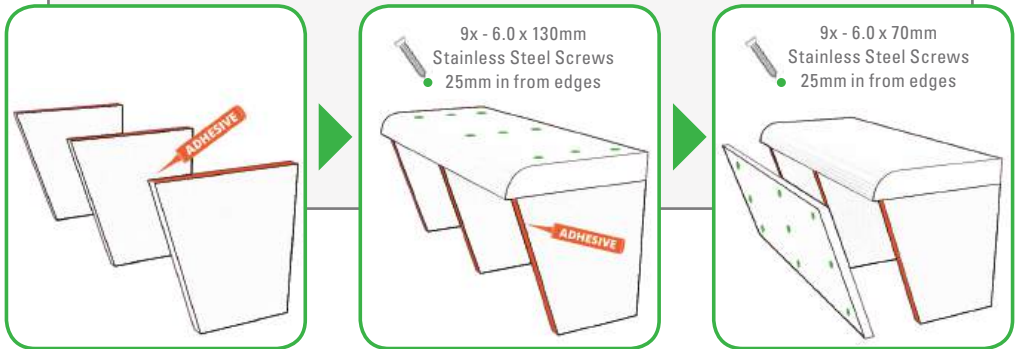
Part Number	Description	Length (mm)	Width(mm)	Height (mm)
SB1200500	Tileable Shower Bench	1200	480	500



# Installation

Cut the bench down to the required size, if required. Glue the individual components together with a suitable adhesive and use the stainless steel screws provided to secure the panels to each other to prevent movement while the adhesive sets.

Allow the adhesive to cure before tiling.



The bench can be used inside heated buildings, particularly in areas with a high level of humidity such as bathrooms, steam baths and spas. Temperatures should not exceed 75°C.

## Tiling / Plastering

The top of the bench must be tiled to ensure an adequate load distribution. All other surfaces can be covered with tiles, plaster or cladding.

Please seek the adhesive manufacturer's recommendations for use in areas with high levels of heat.

## Electric Heating mat cable

Thermopanel Benches can be used with electric underfloor heating. The heating core must not exceed temperatures of 75°C. Please follow the manufacturers instructions for installation.



# Self Adhesive Sealing System

The VeloSeal self-adhesive sealing system is a high-speed solution for sealing bathrooms, wet rooms, and shower areas.

The system is designed to provide quick installation, in half the time it takes for standard tanking kit installs. Unlike traditional adhesive solutions, there is no need to mix and apply adhesive, making the installation process much faster and cleaner. VeloSeal is for use in conjunction with tiled and slab flooring, providing excellent performance and durability. VeloSeal is made with a Polyethylene and fleece webbing surface which provides an excellent surface to tile onto, combined with a self-adhesive backing.

## Why Choose VeloSeal?

- Saves Time, Money and Mess
- No Need for Tile Adhesives
- Prevents the Introduction of Extra Moisture During Installation
- No Drying Times
- No Need for the Laborious Task of Cleaning Work Materials

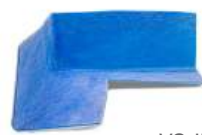
Code	Size
VT5	5m x 80mm Tape
VT10	10m x 80mm Tape
VT30	30m x 80mm Tape
VS-INT	Internal Corner
VS-EXT	External Corner
VS5	5m x 1m Membrane Roll
VS10	10m x 1m Membrane Roll
VS30	30m x 1m Membrane Roll



VS5 / 10 / 30



VT5 / 10 / 30



VS-INT / EXT

## Installation

- 1 The subfloor must be dry and free of any materials that would impair adhesion. It must be leveled and able to bear weight. Any repairs must be carried out prior to the installation of VeloSeal. Measure the wall surface before hand and pre-cut the sealing membrane.

---

- 2 Seal transitional areas between the wall and floor with VeloSeal Sealing Tape and Sealing Corners.

---

- 3 Slowly and evenly pull off the backing paper from the VeloSeal Membrane and press on the wall at the same time. Using a trowel apply pressure outwards in order to force out any air pockets. Overlap the mat joints by around 5-8cm with VeloSeal Sealing Tape. Make sure that the overlap bonding is waterproof.

---

- 4 Repeat the same steps as required on other walls, and lay the floor waterproofing using the same procedure.

---

- 5 You can now tile directly onto the VeloSeal matting.

# VODA Waterproofing

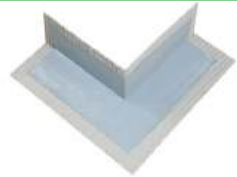
## Sealing Tape

Code	Size
VJT5	5m
VJT10	10m
VJT50	50m



## Corners

Code	Size
VWCI	Internal Corner
VWCE	External Corner



## Pipe Collars

Code	Size
VWC25	25-40mm
VWC70	65-120mm
VWC18	18-20mm
VWC1/2	1/2"
VWC15	12-26mm



## Thermopanel Sealing Tape Kit

Code	Size
VSK001	Thermopanel Waterproof Sealing Tape Set Kit



## VODA Tanking Kits

Code	Size
ISO2/4	4 Kg
ISO2/1.5	1.5 Kg



# WPTAPE

## WPTAPE Waterproofing

Code	Size
WP-COR-INT	Internal Corner
WP-COR-EXT	External Corner
WP-TAPE-5	5m Tape
WP-TAPE-10	10m Tape
WP-LINER-5	5m x 1m Liner
WP-LINER-30	30m x 1m Liner
WP-COLLAR	Pipe Collar



WP-COR-EXT



WP-COR-INT



WP-TAPE



WP-COLLAR



WP-LINER

## Waterproofing/Membranes(Paste)

Part No.	Description	Size
ISOTANK1.5	Isolbau Waterproofing / Tanking Membrane	1.5Kg
ISOTANK4		4Kg



## Adhesive / Sealant

Part No.	Description	Size
Thermofix	Solvent Free Adhesive and Sealant	290ml



## Primer

Part No.	Description	Size
ISO-GR1	Acrylic-Polymer Solvent Free Primer	1 Litre
ISO-TFPR01	Siliceous-Polymer Solvent Free Primer	1 Litre



Part No.	Description	Size
BRS300	Premium Butyl Rubber Sealant	300ml



# ISOTAPE

## ISOTAPE Waterproofing

Code	Size
ISOTAPE5	5m Tape
ISOTAPE10	10m Tape
ISOTAPE50	50m Tape
ISO-COR-INT	Internal Corner
ISO-COR-EXT	External Corner
ISO-COLLAR-12	12 - 42mm Pipe Collar
ISO-COLLAR-75	75 - 150mm Pipe Collar
ISO-COLLAR-25	25 - 36mm Pipe Collar
ISO-COLLAR-16	Pipe Collar 16mm (120mm Diameter)



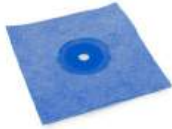
WP-COR-EXT



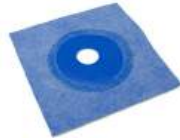
ISOTAPE5/10/50



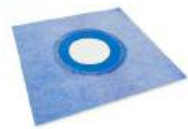
ISO-COR-INT



ISO-COLLAR-12



ISO-COLLAR-25



ISO-COLLAR-75

## ISOTAPE Tanking Kits

Code	Size
ISO3/1.5	1.5 Kg
ISO3/4	4 Kg

ISO3/1.5



ISO3/4



# Tanking Instructions

## VODA Waterproofing, WPTAPE & ISOTAPE

The minimum area to be made waterproof is 1 metre up the height of the wall, and 1 metre into the room from the edge of the wetroom former. The aim is to bind the already waterproof materials, such as the Thermopanel boards with the wetroom former, to create one continuous material to the drain.

**1** Check that the suitable substrate is sound, free of any contaminants, and remove any loose material. Any gaps should be filled with a flexible tile adhesive. Dilute the primer 1:1, and apply to the area.

---

**2** Apply the silicone sealant to all gaps/joints in the boards, and where the pipes come through the walls.

---

**3** Apply the liquid film membrane to all corners, the seam between the wetroom former and the surrounding floor/wall, to the area around protruding pipework and any joints on the wall boarding.

---

**4** Embed the fabric membrane corner/s into the liquid film membrane, waterproof pipe collars around any protruding pipework and then apply the tape to the remaining joint areas.

Finally, cover the entire area with the 1-metre-wide fabric membrane, overlapping the taped joints, using the liquid film membrane already applied to bond the two layers together. – For 1m wide membrane sheets

---

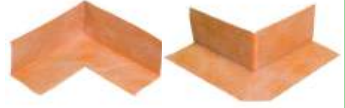
**5** Cover the fabric membrane with another layer of the liquid film membrane.

Please allow 12 hours between coats for the liquid film membrane to cure. After this, the area will now be ready to tile.

# Butyl Self-Adhesive Waterproofing

## Corners

Code	Size
B-INT	Internal Corner
B-EXT	External Corner



## Sealing Tape

Code	Size
BT20	20m X 100mm
BT10	10m x 100mm
BT5	5m X 100mm



## Membrane

Code	Size
BM10	10m x 1m Roll
BM5	5m x 1m Roll



## Thermopanel Butyl Tanking Membrane Kits

Code	Size
Butyl5	5m <sup>2</sup>
Butyl10	10m <sup>2</sup>



## Waterproof Joint Tape for Baths & Showers

Code	Size
SBT2	2m
SBT3	3m
SBT4	4m
SBT25	25m





# Tanking Instructions

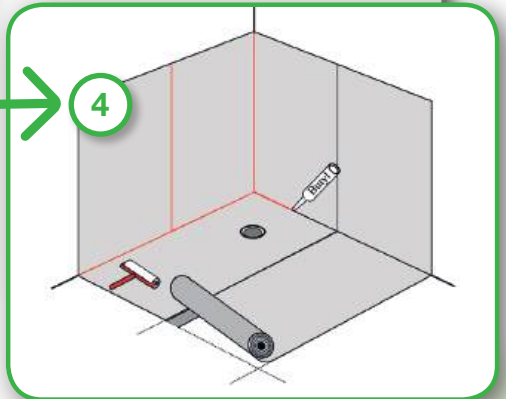
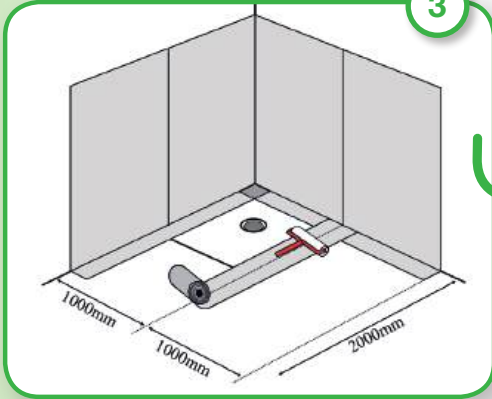
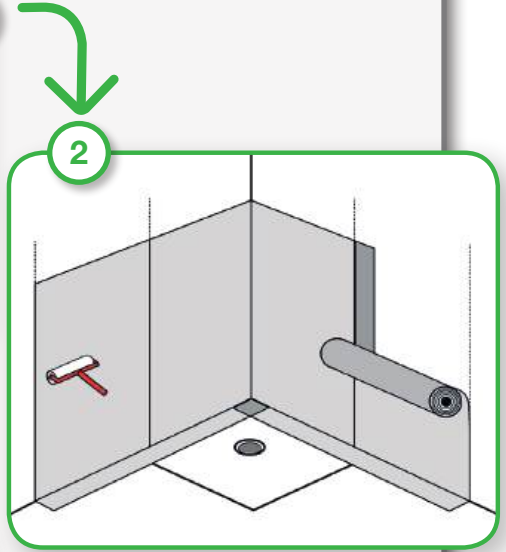
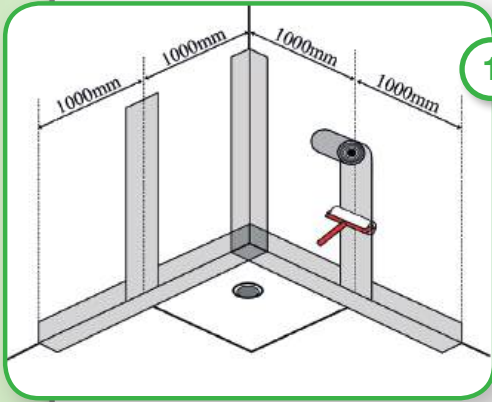
## Butyl

The minimum area to be made waterproof is 1 metre up the height of the wall, and 1 metre into the room from the edge of the wetroom former. The aim is to make the entire existing area surrounding the wetroom former one continuous waterproof material to the drain.

- 1** Check that the suitable substrate is sound, free of any contaminants, and remove any loose material. Any gaps should be filled with a flexible tile adhesive. Dilute the primer 1:1, and apply to the area.  
.....
- 2** Install first the butyl corners, then the butyl tape to all joints between surfaces surrounding the area. Finally, install the 1-metre-wide Butyl Waterproofing membrane, overlapping all the tape/corner/s.  
.....
- 3** Apply the Butyl sealant to all gaps/joints, and where any pipework passes through the membrane.  
.....

This area is now ready to tile.

# Tanking Diagrams All Products



**THERMOPANEL**





[www.thermopanel.co.uk](http://www.thermopanel.co.uk) ■ [mail@thermopanel.co.uk](mailto:mail@thermopanel.co.uk) ■ t: 01394 593 110  
Unit 16, Martlesham Creek Ind Est, Sandy Lane,  
Woodbridge, Suffolk. IP12 4SD